

(19) World Intellectual Property Organization  
International Bureau



(43) International Publication Date  
8 March 2001 (08.03.2001)

PCT

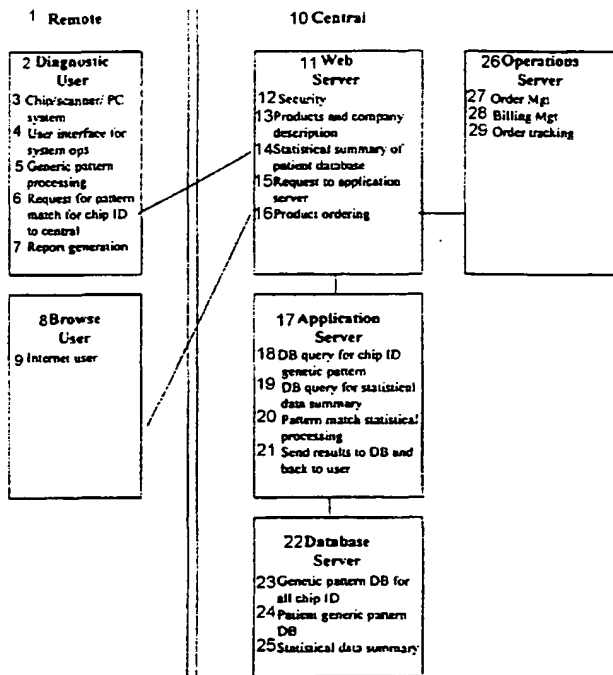
(10) International Publication Number  
WO 01/16860 A2

- (51) International Patent Classification<sup>7</sup>: G06F 19/00
- (21) International Application Number: PCT/US00/23597
- (22) International Filing Date: 28 August 2000 (28.08.2000)
- (25) Filing Language: English
- (26) Publication Language: English
- (30) Priority Data:  
60/151,258 27 August 1999 (27.08.1999) US
- (71) Applicant: IRIS BIO TECHNOLOGIES, INC. [US/US]; Suite 320, 5201 Great America Parkway, Santa Clara, CA 95054 (US).
- (72) Inventors: OSBORNE, Glenn, F.; Davis, CA (US). CHIN, Simon; Saratoga, CA (US). MCDONALD, Paul; Saratoga, CA (US). SCHNEIDER, Scott; Saratoga, CA (US).
- (54) Title: ARTIFICIAL INTELLIGENCE SYSTEM FOR GENETIC ANALYSIS
- (57) Abstract: The present invention provides a complete artificial intelligence system for the acquisition and analysis of nucleic acid array hybridization information. The system is divided into at least one central data processing facility and one or more user facilities, linked by encrypted network connections or similar links. Each user facility may include an optical scanning system to collect hybridization signals from a nucleic acid array, an image processing system to convert the optical data into a set of hybridization parameters, a connection to a data network, and a user interface to display, manipulate, search, and analyze hybridization information. This system reads data from a gene chip or DNA microarray, or a proteomics chip, analyzes test results based on maintained parameters, evaluates patient risk for various ailments, recommends methods of treatment, presents information to medical and/or private individuals, and notifies test participants when new treatment becomes available. The test results may be used to perform individual diagnostics, longitudinal studies, population studies, or a wide variety of statistical analyses of patient data. The automated artificial intelligence system is a real time, dynamic decision making tool that can be used not only in conjunction with a clinical analysis system, but also with the information obtained in a research and development environment. Access to this system allows the user(s) to look at both clinical and non-clinical information. Most importantly, the system is intelligent and possesses the capability to interpret the information obtained. The system presents the information primarily via a secured encrypted Web interface, such as the Internet. The information is also presented in a retrievable format, such as electronic or paper format, using various computing technologies.
- (74) Agents: CHOW, Y., Ping et al.; Heller Ehrman White & McAuliffe, 525 University Avenue, Palo Alto, CA 94301-1900 (US).
- (81) Designated States (national): AE, AG, AL, AM, AT, AT (utility model), AU, AZ, BA, BB, BG, BR, BY, CA, CH, CN, CR, CU, CZ, CZ (utility model), DE, DE (utility model), DK, DK (utility model), DM, DZ, EE, EE (utility model), ES, FI, FI (utility model), GB, GD, GE, GH, GM, HR, HU, ID, IL, IN, IS, JP, KE, KG, KP, KR, KZ, LC, LK, LR, LS, LT, LU, LV, MA, MD, MG, MK, MN, MW, MX, MZ, NO, NZ, PL, PT, RO, RU, SD, SE, SG, SI, SK, SK (utility model), SL, TJ, TM, TR, TT, TZ, UA, UG, UZ, VN, YU, ZA, ZW.
- (84) Designated States (regional): ARIPO patent (GH, GM, KE, LS, MW, MZ, SD, SL, SZ, TZ, UG, ZW), Eurasian patent (AM, AZ, BY, KG, KZ, MD, RU, TJ, TM), European patent (AT, BE, CH, CY, DE, DK, ES, FI, FR, GB, GR, IE, IT, LU, MC, NL, PT, SE), OAPI patent (BF, BJ, CF, CG, CI, CM, GA, GN, GW, ML, MR, NE, SN, TD, TG).

[Continued on next page]



WO 01/16860 A2



(57) Abstract: The present invention provides a complete artificial intelligence system for the acquisition and analysis of nucleic acid array hybridization information. The system is divided into at least one central data processing facility and one or more user facilities, linked by encrypted network connections or similar links. Each user facility may include an optical scanning system to collect hybridization signals from a nucleic acid array, an image processing system to convert the optical data into a set of hybridization parameters, a connection to a data network, and a user interface to display, manipulate, search, and analyze hybridization information. This system reads data from a gene chip or DNA microarray, or a proteomics chip, analyzes test results based on maintained parameters, evaluates patient risk for various ailments, recommends methods of treatment, presents information to medical and/or private individuals, and notifies test participants when new treatment becomes available. The test results may be used to perform individual diagnostics, longitudinal studies, population studies, or a wide variety of statistical analyses of patient data. The automated artificial intelligence system is a real time, dynamic decision making tool that can be used not only in

conjunction with a clinical analysis system, but also with the information obtained in a research and development environment. Access to this system allows the user(s) to look at both clinical and non-clinical information. Most importantly, the system is intelligent and possesses the capability to interpret the information obtained. The system presents the information primarily via a secured encrypted Web interface, such as the Internet. The information is also presented in a retrievable format, such as electronic or paper format, using various computing technologies.



**Published:**

— Without international search report and to be republished upon receipt of that report.

*For two-letter codes and other abbreviations, refer to the "Guidance Notes on Codes and Abbreviations" appearing at the beginning of each regular issue of the PCT Gazette.*

## ARTIFICIAL INTELLIGENCE SYSTEM FOR GENETIC ANALYSIS

### FIELD OF THE INVENTION

5           The present invention relates to electronic genetic analysis systems, and more particularly, to a computerized artificial intelligence system for acquiring and processing DNA hybridization patterns and comparing the processed patterns with databases for clinical or research applications.

10

### BACKGROUND OF THE INVENTION

          Nucleic acid analysis can provide important diagnostic and prognostic information in both clinical and research environments. With amplification techniques such as the polymerase chain reaction, routine clinical samples can provide material for  
15   extensive genetic analysis of known traits. For example, the drug resistance characteristics of a pathogen can be determined by genomic analysis if the sequence of genes or mutations conferring drug resistance is known. Knowledge of drug resistances allows design of an appropriate therapy. Similarly, screening for known mutations in cellular oncogenes can diagnose or direct the treatment of cancer.

20

          The advent of high-density nucleic acid hybridization devices, generally known as "DNA chips" or "nucleic acid arrays", has greatly extended the range of possible clinical applications for nucleic acid analysis. The ability to perform simultaneously millions of nucleic acid hybridization experiments makes feasible large-scale screening assays on a single clinical sample. For example, in U.S. patent 5,861,242, Chee et al.  
25   disclose DNA arrays designed to determine the complete nucleotide sequence of a segment of the HIV genome where mutations in the viral reverse transcriptase gene correlate with drug resistant phenotypes. Combined with appropriate amplification techniques, nucleic acid arrays bearing a battery of probes complementary to pathogen genomes can be used to rapidly screen clinical or industrial samples for hundreds or  
30   thousands of mutations, pathogens or contaminants.

          Another application of high density nucleic acid arrays is in profiling the genomic expression pattern of an organism. By measuring the degree of hybridization of an RNA

sample to an array of nucleic acid probes, each corresponding to a transcribed segment of the genome, it is possible to simultaneously assess the expression level of many or all of the genes of an organism. In U.S. patent 6,040,138, Lockhart et al. describe methods of monitoring the expression levels of a multiplicity of genes, wherein a high density array contains oligonucleotide probes complementary to target nucleic acids, including RNA transcripts. The arrays are used to detect the presence or absence of target nucleic acid sequences, and to quantify the relative abundance of the target sequences in a complex nucleic acid pool. Small variations in expression levels of a particular gene can be identified and quantified in a complex population of genes that outnumber the target nucleic acids by a million fold or more. In U.S. patent 6,004,755, Wang et al. describe quantitative microarray hybridization assays, wherein end-labeled target nucleic acids are contacted with an array of probe molecules stably associated with the surface of a solid support under hybridization conditions. The resulting hybridization pattern can be used to obtain quantitative information about the genetic profile of the end-labeled target nucleic acid sample and the source from which it is derived.

Computer systems and electronic databases for the analysis of biological information are known in the art. Several types of electronic databases are currently available, including genomic databases, medical diagnostic analysis systems, and clinical information systems. U.S. patent 5,966,712 encompasses a relational database system for storing and manipulating biomolecular sequence information, including genomic libraries for different types of organisms. Comparative Genomics is a feature of this database system which allows a user to compare the sequence data sets of different organism types. U.S. patent 6,063,026 describes a computerized medical diagnostic method, including a database containing diseases and indicators associated with each disease, and a second database containing human test results associated with each indicator. An individual's test results are compared with the second database to determine presence levels of each indicator to ultimately provide a medical analysis of the individual and identify therapeutic treatments and drugs. The method is based on pattern matching of diseases associated with the various indicator presence levels. PCT publication WO 99/04043 discloses *Telemedicine*, a computer system that provides for automatic test tracking and analysis. Test results and patient profile medical history can

be inputted into the system or network and compared with databases of diseases, disorders, treatments, care plans, nutritional supplements, and medicine. This system can transmit an analysis and proposed treatment to the patient's physician or health care provider for approval before it is sent to the patient. This system is also used for  
5 automatic test tracking and reporting to public health organizations.

Advances in the genomics and bioinformatics area, especially the development of gene chips and micro arrays, require more and more sophisticated bioinformatics tools for the manipulation and analysis of gene expression data. Thus, attempts have been made to provide systems that simplify the analysis of micro array expression data. For  
10 example, PCT publication WO 00/28091 describes a system and integrated computer software programs for the manipulation and analysis of gene expression data, particularly suited for expression data generated with micro array technologies. This system includes graphical tools, search and sort functions for viewing gene expression data, as well as a graphical user interface for data clustering, browsing, and viewing. U.S. patent  
15 5,733,729 discloses a computer system for analyzing nucleic acid sequences, wherein the system is used to calculate probabilities for determining unknown bases by analyzing the fluorescence intensities of hybridized nucleic acid probes on biological chips. This system uses information from multiple experiments to improve the accuracy of calling unknown bases.

20 As of today, no electronic system has yet been devised wherein nucleic acid expression patterns derived from high density arrays can be analyzed, stored, manipulated, and compared; and then linked to patient profiles, medical conditions, and treatments of various ailments and diseases. Such a system would combine experimental hybridization data analysis and clinical applications. If a database of gene expression  
25 patterns reflecting distinct pathological or physiological states of the sampled tissue exists, comparison of the sample's gene expression profile with stored gene expression profiles can provide important information about the biological state of the tissue. Such information could be used to assess a variety of biological states of interest, such as neoplasia, cancer, immune response, environmental stress or nutritional condition, and  
30 the like. Such information could further be used to provide appropriate treatment for a variety of pathological conditions, ailments, and diseases.

The object of the present invention is to provide a system where nucleic acid array hybridization information is compared with a central repository of hybridization profiles to provide medical, experimental, or industrial analysis of biological samples. Another object of the present invention is to provide a system where analyzed nucleic acid array hybridization information can be linked and correlated to patient profiles, medical conditions, and treatments of various ailments and diseases. Publications, patents, and other reference materials referred to herein are incorporated herein by reference.

10

### SUMMARY OF THE INVENTION

The present invention provides a complete system for the acquisition and analysis of nucleic acid array hybridization information in combination with a clinical analysis system and databank. This automated artificial intelligence system encompasses monitoring, screening, diagnosing, and performing prognosis of disease(s) and condition(s) by integrating primary and secondary genomic information, patient profiles, animals and crops information, insects and other living organism profiles, and disease models, using proprietary neural network algorithms. The resulting information can be used for patient treatment analysis as well as for research and development, particularly drug discovery. In addition, the system links internal and external clinical and research data bases; processes information in real-time; uses the Internet and other wireless technologies to transmit or receive information; provides access to information that is useful in managing disease outbreaks and emergency situations; provides tiered information access to doctors, patients, researchers, and others; performs simultaneous, multi-dimensional analysis; and analyzes genetic information by ethnicity, region, occupation, age, sex, and the like. The automated artificial intelligence system is a real time, dynamic decision making tool that can be used not only in conjunction with a clinical analysis system, but also with the information obtained in a research and development environment. Access to this system allows the user(s) to look at both clinical and non-clinical information. Most importantly, the system is intelligent and possesses the capability to interpret the information obtained.

The system is divided into at least one central data processing facility and one or more user facilities, linked by encrypted network connections or similar links. Each user facility may include an optical scanning system to collect hybridization signals from a nucleic acid array, an image processing system to convert the optical data into a set of hybridization parameters, a connection to a data network, and a user interface to display, manipulate, search, and analyze hybridization information. Alternatively, the optical scanning system may collect signals from a proteomics array or chip, and the image processing system may convert the optical data into a set of proteomics parameters. The user interface may be used to display, manipulate, search, and analyze proteomics related information.

One aspect of the present invention provides at least one central data processing facility, including a Web server or other mechanism (e.g., Electronic Data Interchange (EDI), Dial-Up, etc.) that communicates with remote user facilities, receiving and transmitting hybridization information, and supports data analyses, as well as providing security and business functions. The central data processing facility further includes a database server that stores hybridization profiles, patient profiles, reference information, clinical information associated with hybridization profiles, statistical summaries, and the like. Mediating between the Web server and the database server is an application server, which constructs queries for the database server and performs statistical comparisons between hybridization parameters received by the Web server and hybridization parameters supplied by the database server.

In one manner of practicing the invention, clinicians and other laboratory personnel, utilizing a nucleic acid array, collect hybridization information from a clinical sample and transmit this information to a central data processing facility along with the identity of the array. At the central data processing facility, the hybridization profile is compared with stored hybridization parameters, and artificial intelligence routines determine the most likely pathological or physiological conditions suggested by the hybridization information. These possibilities, along with suggested methods of treatment for the conditions, are returned to the user. The suggested methods of treatment may be chosen simply by reference to the indicated pathological or

physiological condition, or may be chosen for likely therapeutic effectiveness based on particular hybridization parameters. In an alternative manner of practicing the invention, a proteomics chip may be used instead of a nucleic acid array.

5 In some manners of practicing the invention, hybridization profiles collected by remote and/or local facilities include clinical observations or other information associated with each profile, and the profile with its associated observations is added to the central database. In other manners of practicing the invention, hybridization profiles submitted to the central facility do not contain associated observations and are not added to the central database.

10 In another manner of practicing the invention, users perform statistical tests on cataloged hybridization profiles stored in the central data processing facility. By correlating the hybridization signal of one or more probes in the array with clinical information recorded for each hybridization profile, users create and test hypotheses relating hybridization information to particular pathological or physiological states. A  
15 variety of statistical analyses are provided to suggest and evaluate hypotheses.

### BRIEF DESCRIPTION OF THE FIGURES

20 The present invention is best understood when read in conjunction with the accompanying figures that serve to illustrate the preferred embodiments. It is understood, however, that the invention is not limited to the specific embodiments disclosed in the figures.

25 Figure 1 provides a flow chart of the artificial intelligence system and its architecture. The system is divided into at least one central data processing facility and one or more user facilities, linked by encrypted network connections or similar links. The central data processing facility includes a Web Server or other mechanism (e.g., Electronic Data Interchange (EDI), Dial-Up, etc.), Application Server, Database Server, and Operations Server. For the purpose of illustrating the instant invention, a remote user facility is depicted, including a Diagnostic User entity and a Browse User entity.

30 Figure 1 depicts the flow of information between the server nodes, such as the Web Server, Application Server, Database Server, and Operations Server, wherein the



information flows back and forth within the central data processing facility as shown by black connecting lines. Figure 1 further depicts the flow of information between a remote user facility and the central data processing facility, wherein information flows back and forth between the Diagnostic User entity and the Web Server, as well as the  
5 Browse User entity and the Web Server.

Figure 1 also depicts the various functionalities within each server node in the central data processing facility. The Web server includes, but is not limited to, security functionality, products and company description, statistical summary of patient database, request to application server, and product ordering. The Application Server includes, but  
10 is not limited to, database (DB) query for chip identifier (ID), DB query for statistical data summary, pattern match statistical processing, and sending results to DB and back to user functionality. The Database Server includes, but is not limited to, genetic pattern DB for all chip ID, patient generic pattern DB, and statistical data summary. The Operations Server includes, but is not limited to, order management, billing  
15 management, and order tracking.

Figure 1 also depicts the various functionalities within each entity in the user facility. The Diagnostic User entity includes, but is not limited to, a DNA microarray or gene chip, an array or chip scanner, a PC system, a user interface for system operations, a generic pattern processing functionality, request for pattern match for chip ID to central  
20 processing facility, and a report generation functionality.

Figure 2 shows a possible schematic representation of the system design of the automated artificial intelligence system, including a Web Server Tier, Application Tier, and Database Tier.

Figure 3 shows a possible schematic representation of the system scaling,  
25 including a Web Server Tier, Application Tier, and Database Tier.

## DETAILED DESCRIPTION OF THE INVENTION

### a) Definitions and General Parameters

30 The following definitions are set forth to illustrate and define the meaning and scope of the various terms used to describe the invention herein.

A “polynucleotide”, “oligonucleotide”, or “nucleic acid” includes, but is not limited to, mRNA, cDNA, genomic DNA, and synthetic DNA and RNA sequences, comprising the natural nucleotide bases adenine, guanine, cytosine, thymine, and uracil. The terms also encompass sequences having one or more modified nucleotide(s). The terms “polynucleotide” and “oligonucleotide” are used interchangeably herein. No limitation as to length or to synthetic origin are suggested by the use of either of these terms herein.

A “probe” is a nucleic acid sequence, optionally tethered, affixed, or bound to a solid surface such as a microarray or chip.

10 A “target nucleic acid” is generally a free nucleic acid sample whose identity or/and abundance can be detected through the use of a DNA micro array.

The term “sequences which hybridize thereto” means polynucleotide sequences which are capable of forming Watson-Crick hydrogen bonds with another polynucleotide sequence or probe that is bound to an array or chip. Although the sequences which hybridize to a polynucleotide or probe may be about 90%-100% complementary to the polynucleotide or probe, if the sequences are of sufficient length, in solutions with high salt concentrations, and/or under low temperature conditions, polynucleotides with complementarity of 70% or above, or even just 50% or above, may hybridize to the polynucleotide or probe.

20 The terms “gene chip”, “DNA microarray”, “nucleic acid array”, and “gene array” are used interchangeably herein. These terms refer to a solid substrate, generally made of glass but sometimes made of nylon or other materials, to which probes with known identity are bound. The probes can hybridize to target nucleic acids through complementary binding, thus allowing parallel gene expression and gene discovery studies. Variants of DNA microarray technology are known in the art. For example, cDNA probes of about 500 to about 5,000 bases long can be immobilized to a solid surface such as glass using robot spotting and exposed to a set of targets either separately or in a mixture. Alternatively, an array of oligonucleotides of about 20mer to about 25mer or longer oligos or peptide nucleic acid (PNA) probes is synthesized either *in situ* 30 (on-chip) or by conventional synthesis followed by on-chip immobilization. The array is

exposed to labeled sample DNA, hybridized, and the identity and/or abundance of complementary sequences is determined.

The term "proteomics" is most broadly defined as the systematic analysis and documentation of proteins in biological samples. Proteomics is a mass-screening approach to molecular biology, which aims to document the overall distribution of proteins in cells, identify and characterize individual proteins of interest, and ultimately, elucidate their relationships and functional roles. The term "proteomics chip" or proteomics array" refers to a solid substrate to which proteins with known identity are bound.

A "clinical sample" or "biological sample" may be a sample of tissue or a sample of body fluid. The term "tissue" is used herein to refer to any biological matter made up of one cell, multiple cells, an agglomeration of cells, or an entire organ. The term tissue, as used herein, encompasses a cell or cells which can be either normal or abnormal (i.e. a tumor). A "body fluid" may be any liquid substance extracted, excreted, or secreted from an organism or a tissue of an organism. The body fluid need not necessarily contain cells. Body fluids of relevance to the present invention include, but are not limited to, whole blood, serum, plasma, urine, cerebral spinal fluid, tears, and amniotic fluid.

b) The Artificial Intelligence System

The present invention provides a complete artificial intelligence system for the acquisition and analysis of high-density and low-density nucleic acid array hybridization information. This system reads data from a gene chip or DNA microarray, analyzes test results based on maintained parameters, evaluates patient risk for various ailments, recommends methods of treatment, presents information to medical and/or private individuals, and notifies test participants when new treatment becomes available. The system captures data from a gene chip and stores test results in a database using an optical scanning methodology. Gene chips are controlled by using a unique inventory identifier (ID). Correlated data may be collected by the medical practitioner or researcher and entered into the system via an electronic interface, in order to provide additional information that may be used in various analyses. The test results may be used to perform individual diagnostics, longitudinal studies, population studies, or a wide

variety of statistical analyses of patient data. The system also has embedded and/or linked software for planning, manufacturing, quality assurance, processing, and tracking its microarray products. Furthermore, the system presents the information primarily via a secured encrypted Web interface, such as the Internet. The information is also  
5 presented in a retrievable format, such as electronic or paper format, using various computing technologies.

The artificial intelligence system allows for clinical, research and development related genetic testing. This system involves the use of microarray technology in the form of a DNA chip in conjunction with a fluidics station, chemical reagents, chemical  
10 fluorescence and an optical reader or scanner system. Genetic testing is performed by using chemical reagents to extract the DNA or RNA from a biological sample. Subsequently the prepared sample is applied to the DNA chip via the fluidics station. A DNA chip has a large number of spots, each of which corresponds to a specific nucleic acid sequence (e.g., nucleic acid probe, genomic DNA, cDNA, etc.). The extent to which  
15 the hybridized DNA or RNA attaches to each spot on the chip indicates the level at which a specific gene is expressed in the sample. Using the optical reader or scanner to image the hybridized DNA microarray can provide the means to quantify the gene expression levels for each spot. Image processing software, hosted in the PC attached to the optical reader or scanner, operates on the raw image data to generate an optical  
20 intensity measurement for each spot for each fluorescent color used in the test. This indicates the "brightness or light intensity" of the spot for each fluorescent color and the expression level for the gene sequence corresponding to that spot. The artificial intelligence system or a linked software program converts the gene expression data to test results data directly applicable to the clinical or research and development associated  
25 user. These test results include diagnosed medical and/or clinical conditions for clinical users, and the system also provides an associated set of treatment options for the diagnosed clinical conditions.

The artificial intelligence system is divided into at least one central data processing facility and one or more remote and/or local user facilities, linked by  
30 encrypted network connections or similar links. The architecture of this system is based on a shared processing functionality between remote or local user facilities including, but

not limited to, hospitals, clinics, research facilities, businesses, and non-profit organizations; and a central location, such as a company centralized location. The remote or local user facilities also include a Web user or Internet user who requests information or orders products. Figure 1 displays the system architecture of the instant invention. Figures 2 and 3 depict the system design and scaling, respectively, relating to the application tier and database tier.

In a preferred embodiment, each remote or local user facility includes an optical scanning system to collect hybridization signals from a nucleic acid array, an image processing system to convert the optical data into a set of hybridization parameters, a connection to the Internet or other data network, and a user interface to display, manipulate, search, and analyze hybridization information. A potentially large number of optical reader or scanner and PC systems may be deployed at user sites throughout the world. In an alternative embodiment, each remote or local user facility includes a connection to the Internet or other data network, and a user interface to manipulate, search, analyze, and display data (e.g., hybridization information, patient information, statistical information, clinical and medical information, diagnosis and treatment information, biological information, product information, company information, etc). The artificial intelligence system provides Internet access to diagnosis processing and associated treatment information. The remote or local user facility comprises a diagnostic user (e.g., hospital, clinic, research facility, business, non-profit organization, and the like) and a browse user (e.g., Internet user). The diagnostic user utilizes the system, including the fluidic station to use gene chips or DNA microarrays, the scanner and/or detector to read the chip data, the memory storage to store the scanned chip data, and a PC or other desktop system to search, display, correlate, manipulate, and analyze data via a user interface. The memory storage can be located directly in the scanner system. But the chip data may also be stored in the PC associated with the scanner, or in both, the scanner system and desktop system.

In an alternative embodiment, the optical scanning system may collect signals from a proteomics array or chip, and the image processing system may convert the optical data into a set of proteomics parameters. The user interface may be used to display, manipulate, search, and analyze proteomics related information. More

specifically, information (e.g., signals) may be collected from a proteomics chip, transmitted to the central data processing facility, analyzed to generate a proteomics profile, and compared to stored proteomics parameters to provide analyzed data. The analyzed data can then be used to determine physiological condition through the use of artificial intelligence. Methods of treatment based on the physiological condition(s) may be recommended.

Gene expression analysis and other specific, less comprehensive hybridization profile analysis can be performed in the remote or local user facility which allows the system to be a stand alone system and it simplifies the interface to the central system. Alternatively, a chip may be scanned in the user facility resulting in raw scanned or preprocessed data which can then be sent to the central processing facility for further analysis. For example, a CD with raw data maybe sent to the central processing facility where the data is analyzed. After further analysis, a genetic pattern emerges which can be compared and correlated to existing data and matched to the application in the central processing facility.

There are two categories of diagnostic users, such as “diagnostic master users” and “diagnostic users”. Accounts for diagnostic master users are authorized and correspond to the user sites where the systems are deployed. These diagnostic master users are allowed to authorize accounts for diagnostic users. For clinical applications, diagnostic users correspond to the individuals that have been tested. For research and development applications, diagnostic master users can designate either individual chip test results or groups of chips as a single diagnostic user, wherein this option lies with the diagnostic master users in order to meet their testing and analysis needs.

Diagnosis processing is a key part of the artificial intelligence system. The diagnosis processing for clinical applications may be different from that of research and development applications. Diagnosis processing for clinical applications implements a rules based analysis application which utilizes a database set of rules and results. Diagnosis processing thereby determines which conditions apply to the various combinations of gene expression levels and personal medical history. For example, a cardiovascular chip for clinical applications may include a wide variety of spots with identified genomic mutations associated with various cardiovascular conditions. The

diagnosis processing for this chip is based on the expression levels for each of these gene sequences, using predefined rules to determine the likelihood of a set of identified diseases or cancers. For example, the rules might be implemented as: If the gene sequences on spots 18, 52 and 115 have high expression levels, and if the gene sequences on spots 34, 88 and 125 have low expression levels, and the individual has a family history of heart disease, then this individual has a high likelihood of developing a specified heart disease within 5 years. Additionally, there may be a database set of treatments developed for each diagnosed condition. As each chip may utilize at least several thousand spots, the database set of rules is complex. This type of processing is well suited to employ expert systems and/or rules based processing applications which are provided in the instant invention. The development of these database sets of rules and results include both, public information and private information. The databases of the instant invention continually mature and develop into more and more complex systems as information from public and private sources continues to be added to the existing databases.

Another aspect of the present invention provides at least one central data processing facility with dedicated servers for specific functions. The central data processing facility includes a Web server or other mechanism (e.g., Electronic Data Interchange (EDI), Dial-Up, etc.) that communicates with remote user facilities, receiving and transmitting hybridization information, and supports data analyses, as well as providing security and business functions. In particular, the Web server comprises functions including, but not limited to product information, product ordering, company information, statistical summary of patient database, request to the application server, and security. An overview of the artificial intelligence system is shown in Figures 1, 2 and 3. The central data processing facility further includes a database server that stores hybridization profiles, patient profiles, reference information, clinical information associated with hybridization profiles, various statistical summaries, and the like. More specifically, the database server comprises functions including, but not limited to genetic pattern database for chip ID, patient generic pattern database, and statistical data summary. Mediating between the Web server and the database server is an application server, which constructs queries for the database server and performs statistical

comparisons between hybridization parameters received by the Web server and hybridization parameters supplied by the database server. In particular, the application server comprises functions including, but not limited to database query for chip ID genetic pattern, database query for statistical data summary, pattern match statistical processing, and results output. The central processing facility also includes an operations server wherein the operations server comprises functions such as order management, billing management, order tracking, and the like.

Another aspect of the present invention provides for a method, wherein clinicians and other laboratory personnel, utilizing a nucleic acid array, collect hybridization information from a clinical sample and transmit this information to a central data processing facility along with the identity of the array. In a preferred embodiment, the hybridization profile is compared with stored hybridization parameters at the central data processing facility, and artificial intelligence routines determine the most likely pathological or physiological conditions suggested by the hybridization information. These possibilities, along with suggested methods of treatment for the conditions, are returned to the user. In an alternative embodiment, the hybridization profile is compared with stored hybridization parameters at the user facility and raw scanned or preprocessed data is then sent to the central processing facility for further analysis. For example, a CD with raw data maybe sent to the central processing facility where the data is analyzed via artificial intelligence. Results are returned to the user with suggested methods of treatment. The suggested methods of treatment may be chosen simply by reference to the indicated pathological or physiological condition, or may be chosen for likely therapeutic effectiveness based on particular hybridization parameters. In an alternative method of the instant invention, a proteomics array or chip may be used instead of a nucleic acid array.

In a manners of practicing the invention, hybridization profiles collected by remote and/or local facilities include clinical observations or other information associated with each profile, and the profile with its associated observations is added to the central database. In another manner of practicing the invention, hybridization profiles submitted to the central facility do not contain associated observations and are not added to the central database.



In yet another manner of practicing the invention, users perform statistical tests on cataloged hybridization profiles stored in the central data processing facility. By correlating the hybridization signal of one or more probes in the array with clinical information recorded for each hybridization profile, users create and test hypotheses relating to hybridization information to particular pathological or physiological states. A variety of statistical analyses are provided to suggest and evaluate hypotheses.

The instant invention also encompasses a method, wherein a Web user or browse user (e.g., Internet user), transmits existing processed chip data, such as a hybridization profile, to the central data processing facility along with the identity of the profile. This may be done by directly supplying the data via a secure network connection, or by submitting the data via a CD, or the like. The hybridization profile is then compared with stored hybridization parameters at the central data processing facility, and artificial intelligence routines determine the most likely pathological or physiological conditions suggested by the profile supplied by the user. Accordingly, suggested methods of treatment for the conditions, are returned to the user.

In yet another method of the instant invention, a Web user or browse user may search the artificial intelligence system and view statistical summaries of the database. In this manner, a user would use the database to search, correlate, manipulate, and display existing data.

#### c) The System Architecture

A key feature of the artificial intelligence system is the archiving of all test data. All gene expression data that enters the system is both, used in diagnosis processing and archived for processing at a later time. Significant upgrades in the diagnosis processing database occur over time which changes the clinical meaning of any given set of gene expression data as new information is supplied to the system. The system repeatedly updates the existing information. For example, the clinical information based on a gene expression data set may be different from one year to another as the information is continuously compared to new findings as a result of data influx and developments and advances in research and medicine. The system has the capability to identify which archived data should be processed based on the diagnosis processing database history. In addition, the system has the ability to implement the reprocessing. Email notification of

revised results may be sent to master users and users, whenever data has been updated reprocessed.

Another key feature of the system is that it provides immediate access to all generated test results. Master users and users can view the entire history of all test results for a particular, related user. This is well suited to be a key feature for clinical users and associated clinicians and/or genetic counselors. This is also the mechanism through which new test results derived from reprocessing of archived gene expression data are available to any given user.

The system has two key databases for analysis of DNA chips. The first database contains the probes (e.g., oligos such as 25mer, 50mer, 70mer, or cDNA fragments, etc.) representing specific genes and the genes' sequences (e.g., full length cDNA). Thus, the first database encompasses the sequence tags for each spot on the chip. The gene targets for the sequence tags are defined by the genomics category and the bioinformatics category which process the specific sequence tags to be used in both chip production and clinical analysis of the test data. The second database is the diagnosis processing database which contains the hybridization profiles and provides the diagnosis of the test results. This database relies on artificial intelligence to analyze and interpret the gene expression data and other biological information (e.g., genomic deletions, additions, transcription, etc.). Hence, this database contains a set of rules for the various combinations of gene expression levels and the associated diagnosed conditions with associated treatment options. There is also an additional and optional diagnosis database that is used specifically for research and development related DNA chips.

The following section lists each element of the system, wherein the functionality and processing is defined in hierarchical form. This illustration provides an overview of the system architecture, including the server nodes and their associated functionality. An overview of the artificial intelligence system architecture is also shown in Figure 1.

#### Diagnostic User Architecture

- 1.0 User commands
  - A. Application ID select
  - 1.2 Initiate scan & processing
  - 1.3 Output data

- 1.3.1 Initiate transfer to central system for processing
- 1.3.2 Report generation
- 2.0 Remote processing
  - 2.1 Data management
    - 5 2.1.1 Memory search management
    - 2.1.2 Data transfer from scanner/detector system memory
  - 2.2 Genetic pattern generation
    - 2.2.1 Single site pattern generation
    - 2.2.2 Aggregation to multi site result
  - 10 2.3 Generate data format for export to central system

Central Data Processing Facility Architecture

- 1.0 Web Server
  - 1.1 Security
    - 15 1.1.1 Browse user
    - 1.1.2 Product ordering user
    - 1.1.3 Database user
  - 1.2 About Iris Biotech
    - 20 1.2.1 Company
    - 1.2.2 Products & services
    - 1.2.3 Statistical summary of database (percent of matches, etc.)
  - A. Product order management
    - 1. Connect to operations server
  - 1.4 Diagnostic/database user
    - 25 1.4.1 Request to application server
    - 1.4.2 Data transfer to application server
- 2.0 Operations Server
  - 2.1 Product ordering management
  - 2.2 Billing management
  - 30 2.3 Order tracking management
- 3.0 Application Server

- 3.1 Accept genetic pattern and application chip ID data from Web server
- 3.2 Database query for application chip specific data
- 3.3 Genetic pattern matching statistical processing
- 5 3.4 Report generation
- 3.5 Data transfer to database for particular user
- 3.6 Request to database server for browse of statistical summary data
- 4.0 Database server
  - 4.1 Genome data for each application chip
  - 10 4.2 User specific data resulting from each use of an application chip
  - 4.3 Statistical summary of all application chip uses

The system architecture is based upon suitable server(s) and/or work station(s) (e.g., servers and workstations that run on chips from Intel Corporation, IBM Corporation, or other manufacturers). Any suitable software may be used with this system (e.g., Tuxedo® software from BEA Systems Inc., and other applications). In addition, data bases may run on any suitable software that is compatible with the databases (e.g., software from Oracle Corporation, or other software).

#### 20 d) System Design and Scaling

An overview of the system design and scaling is provided in Figures 2 and 3. The system design focuses on distributed functionality for the key functions of the system, and the associated ease of scalability when the system performance requirements increase with increasing chip sales. More specifically, the system design is based on a layered or tiered approach. This allows for system scaling with minimum impact as the system performance requirements grow. The system includes a tier for the Web server function, such as a Web Server Tier (see Figures 2 and 3). The Web Server Tier receives gene expression data, performs secure access function(s), allows user registration, receives and forwards test results queries, and receives and forwards transactions of gene expression data for archiving and processing. The Web Server Tier utilizes a series of low end servers (e.g., servers from

Intel Corporation) to perform the user interface and data transfer functions. For the purpose of illustration, four low end servers which provide this capability are depicted in Figure 2.

The application tier in the system performs the diagnosis processing which converts gene expression data into test results (see Figures 2 and 3). This tier utilizes a mid range server (e.g., E3500 Sun Enterprise server from Sun Microsystems, Inc.). This tier also performs the archiving of the gene expression data using at least one of a family of tape drive library units (e.g., Sun tape drive library unit from Sun Microsystems, Inc.). The database tier (see Figures 2 and 3) which performs the storage and retrieval of the test results also utilizes a mid range server (e.g., E3500 Sun enterprise server from Sun Microsystems, Inc.). This tier also utilizes a storage unit with redundancy for fault tolerance in which the test results are stored for rapid access (e.g., A5200 from Sun Microsystems, Inc.). Figure 2 illustrates the system design in logical form.

The system design is ideal for scalability (see Figure 3). Hence, it meets ever increasing performance requirements. The Web server tier can be "scaled horizontally" by adding additional units in parallel. The application tier can also be scaled horizontally by adding additional units in parallel. The database tier can be scaled both, horizontally with additional units in parallel (or an increased number of processors in the server), and vertically with additional storage units. This scaling concept is illustrated in Figure 3. The scaling of any tier is independent of the scaling of any other tier. This allows maximum flexibility. For example, it is possible to scale only one tier as the system demands change with respect to combination(s) of gene expression data sets, processing throughput, test data results storage, test results queries, or the like.

e) Rules Based System

The automated artificial intelligence system of the instant invention encompasses an expert system which identifies changes to underlying assumptions for a *Rules Base*. The following description serves to illustrate the rules based system. It is understood, however, that the invention is not limited to the specific examples disclosed in this section.

In a rules based system, the set of rules (R) may change over period(s) of time (t).

30

$$R(t_0) = R_{i_0}$$

$$R(t_n) = R_{i_n}$$

Where  $t_0$  is the creation of the rule set, and  $t_n$  is the  $n^{\text{th}}$  creation of the rule set.

The art describes using a mathematical or logic system as a simple set of rules to specify how to change one string of symbols into a set of symbols (J. Giarratano and G. Riley, *Expert Systems: Principles and Programming*, 2nd Edition, PWS Publishing Company, 1994, p. 30). Hence, this leads to a simple translation of data and symbol sets.

Here,  $x,y$  with Luminescence (L) Value represents a disease (D) indicator.

$$R_1 \quad L(x,y) \geq n \rightarrow D$$

This can be translated into a conditional logic. According to Rule 1 ( $R_1$ ), if the luminescence at  $x, y$  is  $\geq n$ , then Disease (D) exists in the sample. This does not limit the order of execution(s) of rules via a control strategy.

A Markov algorithm is an ordered group of productions which are applied in order of priority to an input string (J. Giarratano and G. Riley, *supra*, p. 33). This allows for certain pre-tests to exist before performing the analysis to conclude that D exists.

$$R_2 \quad L(a,b) \geq \text{BTV} \rightarrow \text{BT (A0B)}$$

Rule 2 ( $R_2$ ) states if L at  $a,b$  is greater or equal to Blood Type Value (BTV), then Blood Type (BT) is A, 0, or B.

BT = Blood Type; BTV = Blood Type Value

Blood Type A = A

Blood Type B = B

Blood Type 0 = 0

The Markov algorithm allows the prioritization of the rules to be ordered. In this case, the requirement of  $R_2$  to hold prioritization  $P_1$  vs.  $R_1$  to hold  $P_2$  was not a known condition when  $R_1$  was created. So,

$$P_1 \quad R_2 \quad L(a,b) \geq \text{BTV} \rightarrow \text{BT (A0B)}$$

$$R_2 \quad R_1 \quad L(x,y) \geq n \rightarrow D$$

The rate algorithm allows for fast pattern matching in large rule set(s) by storing information about the rules in a network. Instead of having to match facts against every rule on every recognize-act cycle, the rate algorithm only looks for changes in matches in every cycle (J. Giarratano and G. Riley, *supra*, p. 34). This means that the rate algorithm looks at the change or delta ( $\Delta$ ) in patterns. Combined with Markov algorithms, this leads to:

$$P_1 \quad R_2$$

$$(\Delta P_{1,2})(\Delta R_{2,1})$$

R<sub>2</sub> R<sub>1</sub>

5 which detects a change in the point indicator to initiate the rule if the values exist in the form of requisite values:

$$\text{if } (L(a,b) \geq \text{BTV}) \text{ and } (L(x,y) \geq n) \rightarrow \text{then } D$$

This illustrates one possible example of how to detect a change in the point indicator in order to predict any given disease. However, the system is flexible and adapts to new rules, thus:

10 
$$R_1 \neq R_2 \neq R_n$$

And the priority/prioritization (P) for execution may change in each rule set, representing a transform (TR) in the prioritization of the data represented in rules.

Thus, Transform (TR) Priority (P) may exist at a given time (t), so that:

15 
$$\text{TR}(P(t))$$
  
and

$$\text{TR}(P(1)) \neq \text{TR}(P(2)) \neq \text{TR}(P(3))$$

Generally, the rate algorithm tracks only the changes, but does not group classes of changes or identify root causes behind changes. Thus, new rules may be applied to group classes of changes or identify root causes behind changes.

20 
$$(\Delta P_{1,2})(\Delta R_{2,1}) \rightarrow D$$

It is also relevant to identify and track additional information and call these pieces of additional information assumption (A), for example, (A<sub>1</sub>):

$$A_1 \Rightarrow L(a,b) \Rightarrow \text{BTV of } (A,B)$$

$$A_2 \Rightarrow L(a,b) \Rightarrow \text{BTV of } (A, 0, B)$$

25 In a dynamic application it may be necessary to determine what the underlying assumptions to the valid data and/or result sets are. This may influence the potential entry point(s) for analysis and may indicate a need to preprocess or reprocess data against multiple rules for describing test results.

Results 1:

30 
$$P_1 \quad R_2 \quad A_1 \quad \Rightarrow$$

$$R_2 \quad R_1 \quad A_1 \quad \Rightarrow \quad D$$

Results 2:

$$P_1 \quad R_2 \quad A_2 \quad \Rightarrow$$

$$R_2 \quad R_2 \quad A_2 \quad \Rightarrow \quad \text{not } D$$

5        Providing Results 2 (with  $A_2$ ) in order to describe the underlying root cause for results conveys more information to the user. Providing both sets of results as well as describing the differing results to the user may assist in developing trend data in a population set. For example, examining a population segment may provide information about several individuals reporting symptoms of low energy and out-of-breathness at time  $t(1)$ ,  $t(2)$ ,  $t(3)$ , and  
 10  $t(4)$ . A medical break-through occurs between  $t(4)$  and  $t(5)$ , identifying the symptoms of disease  $D_5$ .

$$T_1 \quad P_1 \quad R_1 \quad A_1 \quad \Rightarrow \quad 0 D_5$$

$$T_2 \quad P_2 \quad R_2 \quad A_1 \quad \Rightarrow \quad 0 D_5$$

$$T_3 \quad P_3 \quad R_3 \quad A_1 \quad \Rightarrow \quad 0 D_5$$

15  $T_4 \quad P_4 \quad R_4 \quad A_1 \quad \Rightarrow \quad 0 D_5$

$$T_5 \quad P_5 \quad R_5 \quad A_5 \quad \Rightarrow \quad D_5$$

In the illustration above, the rate algorithm accounts for a change in the rules, but does not identify a change or delta ( $\Delta$ ) in the underlying assumptions.

The above rules based decision making process is only an example and servers to  
 20 illustrate one embodiment of the instant invention. In an alternative embodiment of the instant invention, neural networks may be used to accomplish the above illustrated objectives. In yet another alternative embodiment of the instant invention, other application(s) may be employed.

25        f)        Image Processing Software

The image processing software hosted in the PC's attached to the genetic profiling microarrays systems deployed at user sites may or may not be an element of the artificial intelligence system. The image processing software provides image data from test data for use in the artificial intelligence system. The key function of the image  
 30 processing software is to generate an intensity level for each spot on the chip for each



fluorescent color used. The intensity data is normalized to both positive and negative control spots on the chip, thus it defines gene expression levels. The data generated by the image processing software is then sent to the central processing facility of the artificial intelligence system for analysis. Comparative hybridization may also be used.

5 There are several existing image processing applications that can be used for microarray test data image processing. Examples are the software associated with the GenePix™ 4000 scanner from Axon Instruments, Inc., the software associated with the ScanArray® 5000 scanner from GSI Lumonics, and others. Stand alone microarray test data image processing software tools are optionally employed. Examples include the IPLab in the  
10 Microarray Suite from Scanalytics Inc., and ImaGene™ from BioDiscovery, Inc. The selection of image processing software is usually selected based on the scanner system used. Alternatively, any image processing software that is compatible with the scanner system may be employed. Optionally, a custom scanner or Charged Coupled Device (CCD) based system is available in conjunction with the artificial intelligence system.

15

g) Examples

The following specific examples are intended to illustrate the invention and should not be construed as limiting the scope of the claims. The examples further illustrate some of the specifics within the artificial intelligence system and factors that  
20 effect how the system is used.

*I. Integration of Public Databases (DBs) into the Database (DB) of the Artificial Intelligence System.*

The following databases, databanks, information sources, and data are integrated  
25 into the system of the instant invention, wherein information is stored, downloaded, and upgraded routinely.

**National Center for Biotechnology Information (NCBI)**

⇒ GenBank

30

⇒ UniGene

- ⇒ GeneMap
- ⇒ EST, STS, and SNP Database(s)
- ⇒ Online Mendelian Inheritance in Man Database (OMIM™)
- ⇒ Diseases and Mutations
- 5 ⇒ Blast Engine(s)
- ⇒ Others

#### **National Library of Medicine (NLM)**

- ⇒ Centers for Disease Control and Prevention (CDC)
- 10 ⇒ Federal Drug Administration (FDA)
- ⇒ National Institute(s) of Health (NIH)
- ⇒ others

#### *II. Data Mining from Public Information*

- 15 The artificial intelligence system allows for data mining which includes mining for information such as:

- ⇒ Current research and development on genetic and medical sciences
- ⇒ New technologies (array technologies, diagnostic tools, drug development, genetics testing, high throughput screening, etc.)
- 20 ⇒ Market information (domestic and international, basic research and clinical applications)
- ⇒ Competitor information
- ⇒ Political, economic, social ( life style, healthcare, etc.) trends and changes

25

#### *III. Information for Major Decisions*

The artificial intelligence system provides information related to the following:

**General Information**

This information is related to management strategic decision(s), company direction(s), finance(s), market targeting, and others.

**5            Specific Information**

This information is related to project decision(s), technology application(s), research & development, product design, gene selection, and others. Information is correlated and integrated into the artificial intelligence system. The information is:

- ⇒ Market based
- 10        ⇒ Disease based
- ⇒ Technology based
- ⇒ Species based
- ⇒ Function based
- ⇒ Pathway based
- 15        ⇒ Sequence based
- ⇒ Mutation based
- ⇒ Cluster based

**Disease-, Gene-, and Sequence Analysis Information**

20        This analysis information is organized and stored in various databanks:

- ⇒ Disease gene(s) classification: **Disease Databank**
- ⇒ Pathway, interaction(s), and regulation(s) network: **Pathway Databank**
- ⇒ Clusters and their unique regions: **Cluster Databank**
- ⇒ Sequencing and oligonucleotide design: **Oligo Databank**
- 25        ⇒ Mutations: **Mutation Databank**

**IV.      Organization of Genetic Materials**

Genetic Materials are organized in a **Gene Databank**, wherein this databank includes, but is not limited to:

- ⇒ Gene selection
- ⇒ Materials preparation or synthesis
- ⇒ Materials coding
- ⇒ Materials storage
- 5 ⇒ Materials tracking

#### V. *Gene Selection*

Specific computer program(s) are used in order to select genes of interest within the database(s). Thus, in selecting genes or segment(s) of genes to represent a particular  
10 gene, various computer programs are employed. For example, a computer program may be used to select genes such as BRCA1, BRCA2, HER2/neu, p53, and p57 as genes of interest to be put/added onto a Breast Cancer Gene Chip. For the BRCA1 gene, another computer program may be used to select one or more unique 50mer oligo sequence(s) with the desired GC content, minimal hairpin formation, minimal di-mer formation, and  
15 optimal melting temperature.

#### VI. *Preparation of Genetic Materials*

The preparation of genetic materials includes, but is not limited to:

- ⇒ High throughput amplification and purification
- 20 ⇒ Oligo/peptide nucleic acid (PNA) design
- ⇒ Oligo/ peptide nucleic acid (PNA) synthesis
- ⇒ Sequencing confirmation
- ⇒ Concentration adjustment

#### 25 VII. *Microarray Design and Tracking*

Microarrays are designed and tracked via an Array Databank, wherein this databank includes, but is not limited to:

- ⇒ Array design (e.g., artificial intelligence (AI); controls; programmed  
image(s); grouped by disease(s), function(s), pathway(s); underlying network;  
30 phenotype-genotype correlation; and others)

- ⇒ Array location ID in conjunction with genetic materials information, sample ID, storage plates, and other parameters
- ⇒ Array ID connected to final imaging, data analysis and data export to end users

5

### *VIII. Spotting*

Spotting encompasses inkjet printing system calibration(s) and monitoring of key parameters.

10

### *IX. Tissue*

Tissue that is being tested is tracked and recorded in a Sample Databank. All tested tissues are recorded with respect to the following parameters:

15

- ⇒ Sources: people/animal/other
- ⇒ Tissue type: e.g., blood, breast tissue, liver tissue, etc.; normal tissue, diseased tissue, compromised tissue, tumor tissue, stressed tissue, etc.
- ⇒ Diagnosis before testing
- ⇒ Treatment or test before genetic profiling microarray testing
- ⇒ Control sample information
- ⇒ Tissue preparation information/labeling procedure
- ⇒ other

20

### *X. Hybridization*

25

Hybridization information includes, but is not limited to:

- ⇒ Programmed hybridization procedure(s) in conjunction with fluidic station(s)
- ⇒ Hybridization condition(s) (e.g., buffer component, time cycle, temperature control, etc.)
- ⇒ Washing
- ⇒ Chip storage

30

## *XI. Results Analysis*

The results analysis is divided into three stages, such as:

5

### ***Image Analysis: Image Databank***

⇒ Translate real image to analytical image

⇒ Transfer image to digital/number (pixel intensity)

⇒ Sorting, regrouping, comparing, filtering and highlighting significant changes

10 

⇒ Correlating to public and internal data

⇒ End user communication

### ***Profiling: Profile Databank***

15 

Expression profile by different tissues, diseases, ethnic groups, treatments, pathway, genes, etc.

### ***Mutation and Disease: Mutation Databank***

Mutation DB: disease types, phenotype-genotype correlations

20 

## *XII. Information Presented through a User Interface*

The artificial intelligence system provides information to the user, through a network (e.g., Internet) via a user interface. Information is presented through windows, screens, menus and the like, which allow the user to conveniently view user information, clinical sample information, testing information, clinical test results report, R&D sample information, chip information, results report for biopharma chip, therapeutic choices, 25 billing information, and others.

The following are examples of information presented to the user via the user interface:

### **User Information**

30 

*User ID (user specific/secured)*

*Password (user specific/secured)*

- ⇒ Name
- ⇒ Sex
- ⇒ Date of Birth
- 5 ⇒ Ethnicity
- ⇒ Social Security Number (SSN)
- ⇒ Health History
- ⇒ Occupation
- ⇒ Employer Information
- 10 ⇒ Insurance Information
- ⇒ Physician's Information/Clinic & Hospital Information
- ⇒ Family History
- ⇒ Diagnosis
  - 15 a) Clinical/Physician
  - b) Pathology
  - c) Clinical/Lab
  - d) Genetic Test

**Clinical Sample Information**

- 20 *Date*
  - ⇒ Sample ID
  - ⇒ Patient ID
  - ⇒ Organ
  - ⇒ Tissue
  - 25 ⇒ Cell
  - ⇒ DNA or mRNA
  - ⇒ Preparation/Amplification/Purification
  - ⇒ Labeling
  - ⇒ Storage

⇒ Control Sample Information

**Testing Information**

*Date of the Test*

Type of Testing

5 ⇒ Genetic Testing

⇒ Expression Profile

Classified Testing

⇒ Cancer

⇒ Cardiovascular

10 ⇒ Neurological

⇒ Endocrinological

⇒ Infectious

⇒ Metabolic

⇒ Hematological

15 ⇒ Immunological

⇒ Aging

Chip Used

Hybridization Method(s) & Condition(s)

20 **Clinical Test Result Report**

*Date*

Chip ID

Patient ID

Sample ID

25 Genetic Testing

⇒ Mutation

⇒ Amplification

Expression Profile

⇒ Abnormal Expression Pattern



⇒ Related Genes

**R&D Sample Information**

Source of the Samples

⇒ Human

5 ⇒ Animal

⇒ Insect

⇒ Viral

⇒ Bacterial

⇒ Yeast

10 ⇒ Agricultural

⇒ Others

Tissue(s) and Cell Type

Treatment

⇒ Reagent(s)

15 ⇒ Concentration

⇒ Time Period

⇒ Specific Treatment

Sample Preparation Information

Labeling, Storage, and Hybridization Information

20 Control

**Chip Information**

Chip ID

Type of Chip

25 ⇒ BioPharma

⇒ Custom Made (R&D)

⇒ Clinical

Chip Classification

⇒ Disease Specified

⇒ Function Specified

⇒ Mutation Related

Complete Probe Information

Complete Array Information

5 Direct Link of the Information to Genetic Database

### **Result Report for BioPharmaChip**

Type of Experiment(s)

⇒ Expression

10 ⇒ Mutation

⇒ Amplification

Chip Classification

⇒ Disease Based

⇒ Functionality Based

15 ⇒ Structure Based

Top Hit List (e.g., Top 10 Hits, Top 100 Hits, etc.)

⇒ Over Expressed and Under Expressed Genes Compared with Controls

⇒ Mutations Generated or Detected

⇒ Genomic Amplification

20 Conclusions by Researcher(s), Physician(s), Genetic Counselor(s), etc.

### **Therapeutic Choices**

⇒ Patient ID

⇒ Sample ID

25 ⇒ Chip ID

⇒ Test Result and Diagnosis: Disease vs. Genotype/Expression Alterations

⇒ Available Therapeutics

⇒ Alternative Therapeutic Choices

⇒ Therapeutics under Development

**Billing Information**

- ⇒ Patient ID or Customer ID
- ⇒ Sample ID
- 5 ⇒ Chip ID
- ⇒ Test Result
- ⇒ Insurance Billing Information
- ⇒ Doctor Fee
  - a) Reimbursement by Insurance Company
- 10 ⇒ Patient Payment
- ⇒ Customer Payment

**XIII. Online Marketing, Ordering and Shipping System (B2B2C)**

The artificial intelligence system includes an operations server which stores  
15 information regarding orders, billing, order tracking, shipping, and others. E-commerce  
related information is also provided. E-commerce transactions may include patient(s)  
purchasing prescription drug(s); insurance companies offering discount(s) to  
individual(s) with healthy Genetic Profiles (GPs); farmer(s) purchasing new Genetically  
Modified Organisms (GMOs); user(s) subscribing to specific news bulletin(s); and  
20 user(s) ordering specific book(s) or other information material to help them understand  
specific genetic profile(s). The system also optionally includes educational  
information/seminar(s), and specific chat room(s) and gathering(s) of support groups on-  
line that may attract large number(s) of regular visitors, offering further advertisement  
options and facilitation of commerce involving a wide variety of products and services.

25

**XIV. End User Application**

The end user application includes the following:

- ⇒ Windows based platform
- ⇒ Firewall protected entry
- 30 ⇒ User password (PW) and sample ID specified log-on

- ⇒ Selected and limited access by diagnostic user and browse user
- ⇒ Online technical support system(s)

Various modifications and variations of the present invention will be apparent to  
5 those skilled in the art without departing from the scope and spirit of the invention.  
Although the invention has been described in connection with specific preferred  
embodiments, it should be understood that the invention as claimed should not be unduly  
limited to such specific embodiments. Indeed, various modifications of the described  
modes for carrying out the invention which are obvious to those skilled in the art are  
10 intended to be within the scope of the claims.

What is claimed is:

1. An artificial intelligence system for the analysis of nucleic acid array  
5 hybridization information, comprising:
  - (i) a Web server that communicates with at least one user facility,  
receiving and transmitting hybridization  
information, supporting data analyses, and providing security and  
business functions,
  - 10 (ii) a database server that stores hybridization profiles, clinical  
information associated with hybridization profiles,  
and statistical information associated with hybridization  
profiles; and
  - (iii) an application server that facilitates information exchange between  
15 the Web server and the database server.
2. The system of claim 1, wherein the Web server further comprises functions  
selected from the group consisting of product information, product ordering,  
company information, statistical summary of patient database, request to the  
20 application server, and security.
3. The system of claim 1, wherein the database server further comprises functions  
selected from the group consisting of genetic pattern database for chip ID, patient  
generic pattern database, and statistical data summary.  
25
4. The system of claim 1, wherein the application server constructs at least one  
query for the database server, and performs at least one statistical comparison  
between hybridization parameters received by the Web server and hybridization  
parameters supplied by the database server.  
30
5. The system of claim 4, wherein the application server further comprises functions  
selected from the group consisting of database query for chip ID genetic pattern,

database query for statistical data summary, pattern match statistical processing, and results output.

- 5 6. The system of claim 1, wherein said artificial intelligence system further comprises an operations server.
7. The system of claim 6, wherein the operations server comprises functions selected from the group consisting of order management, billing management, and order tracking.
- 10 8. The system of claim 1, wherein the user facility is linked to said artificial intelligence system through encrypted network connections.
9. The system of claim 8, wherein the user facility is a remote user facility.
- 15 10. The system of claim 8, wherein the user facility is a local user facility.
11. The system of claim 8, wherein the user facility is selected from the group consisting of a hospital, a clinic, a research facility, a business, and a non-profit organization.
- 20 12. The system of claim 8, wherein the user facility comprises:
- (i) an optical scanning system to collect hybridization signals from a nucleic acid array,
  - 25 (ii) an image processing system to convert optical data from the optical scanning system into a set of hybridization parameters,
  - (iii) a computer linked to a network; and
  - (iv) a user interface to display data related information.
- 30 13. The system of claim 12, wherein the network is the Internet.

14. The system of claim 12, wherein the user interface further comprises functions selected from the group consisting of manipulating data, searching data, analyzing data, and displaying data.
- 5 15. The system of claim 14, wherein the user interface further comprises displayed information selected from the group consisting of user information, clinical sample information, testing information, clinical test results report, R&D sample information, chip information, results report for biopharma chip, therapeutic choices, and billing information.
- 10 16. The system of claim 12, wherein the data related information is selected from the group consisting of hybridization information, patient information, statistical information, clinical information, medical information, diagnosis information, treatment information, biological information, product information, and company information.
- 15 17. The system of claim 12, wherein the user facility further comprises functions selected from the group consisting of generic pattern processing, request for pattern match for chip ID, and report generation.
- 20 18. The system of claim 8, wherein the user facility comprises:  
(i) a computer linked to a network; and  
(ii) a user interface to display data related information.
- 25 19. The system of claim 18, wherein the data related information is selected from the group consisting of hybridization information, patient information, statistical information, clinical information, medical information, diagnosis information, treatment information, biological information, product information, and company information.

20. The system of claim 1, comprising a system architecture based on a shared processing functionality between at least one remote location and at least one central data processing facility.
- 5 21. A method for diagnosing a physiological condition, comprising:
- (ii) collecting hybridization information from a nucleic acid array,
  - (iii) transmitting said hybridization information to a central data  
processing facility,
  - (iv) analyzing said hybridization information to generate a  
10 hybridization profile,
  - (v) comparing said hybridization profile to stored hybridization  
parameters to provide analyzed data, and
  - (vi) determining the physiological condition suggested by said  
analyzed data through the use of artificial intelligence.
- 15 22. The method of claim 21, further comprising recommending methods of treatment based on the physiological condition.
23. A method for diagnosing a physiological condition, comprising:
- 20 (ii) collecting information from a proteomics chip,
  - (iii) transmitting said information to a central data processing  
facility,
  - (iv) analyzing said information to generate a proteomics profile,
  - (v) comparing said proteomics profile to stored proteomics parameters  
25 to provide analyzed data, and
  - (vi) determining the physiological condition suggested by said  
analyzed data through the use of artificial intelligence.
24. The method of claim 23, further comprising recommending methods of treatment  
30 based on the physiological condition.



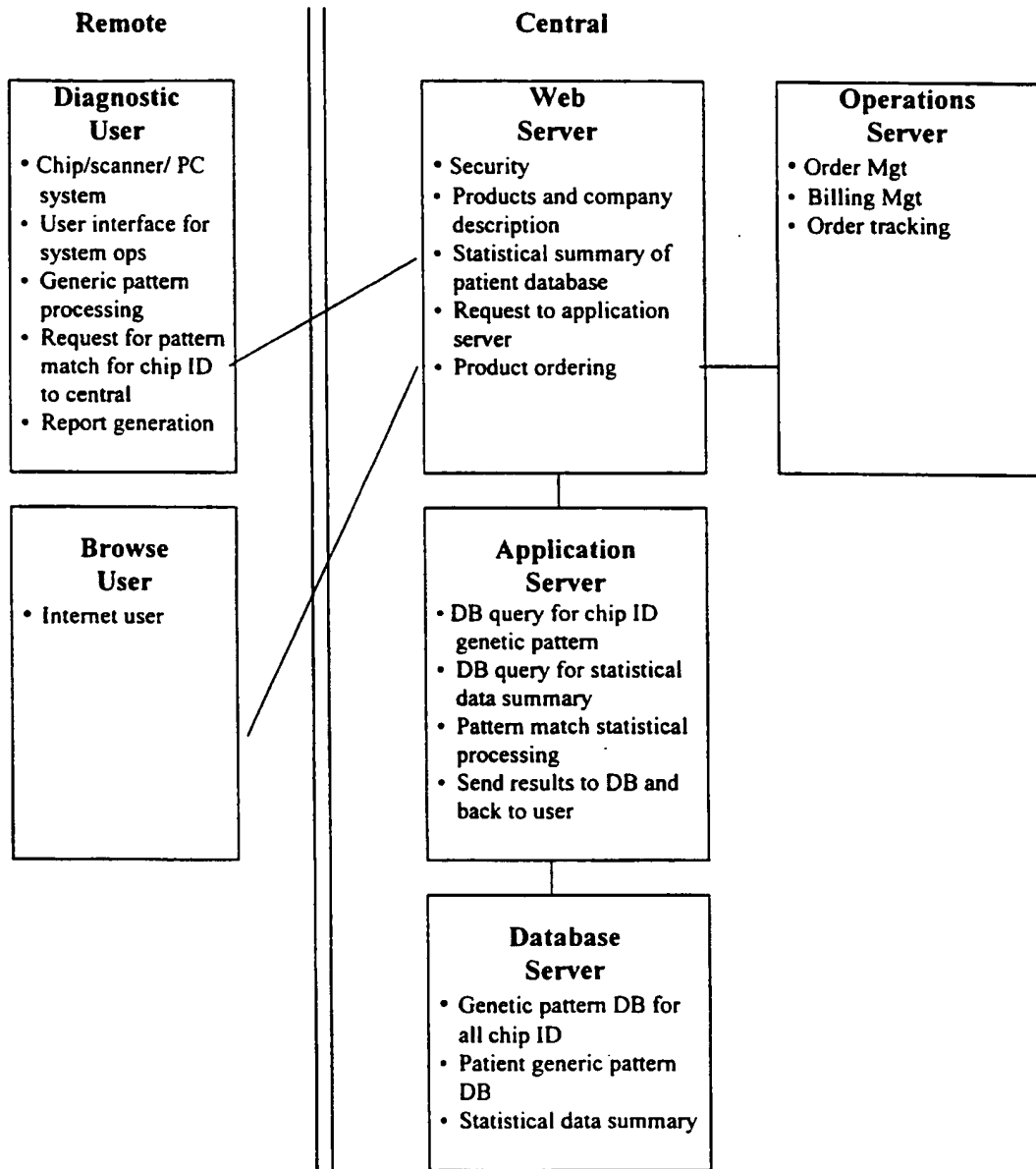


Figure 1: System Architecture

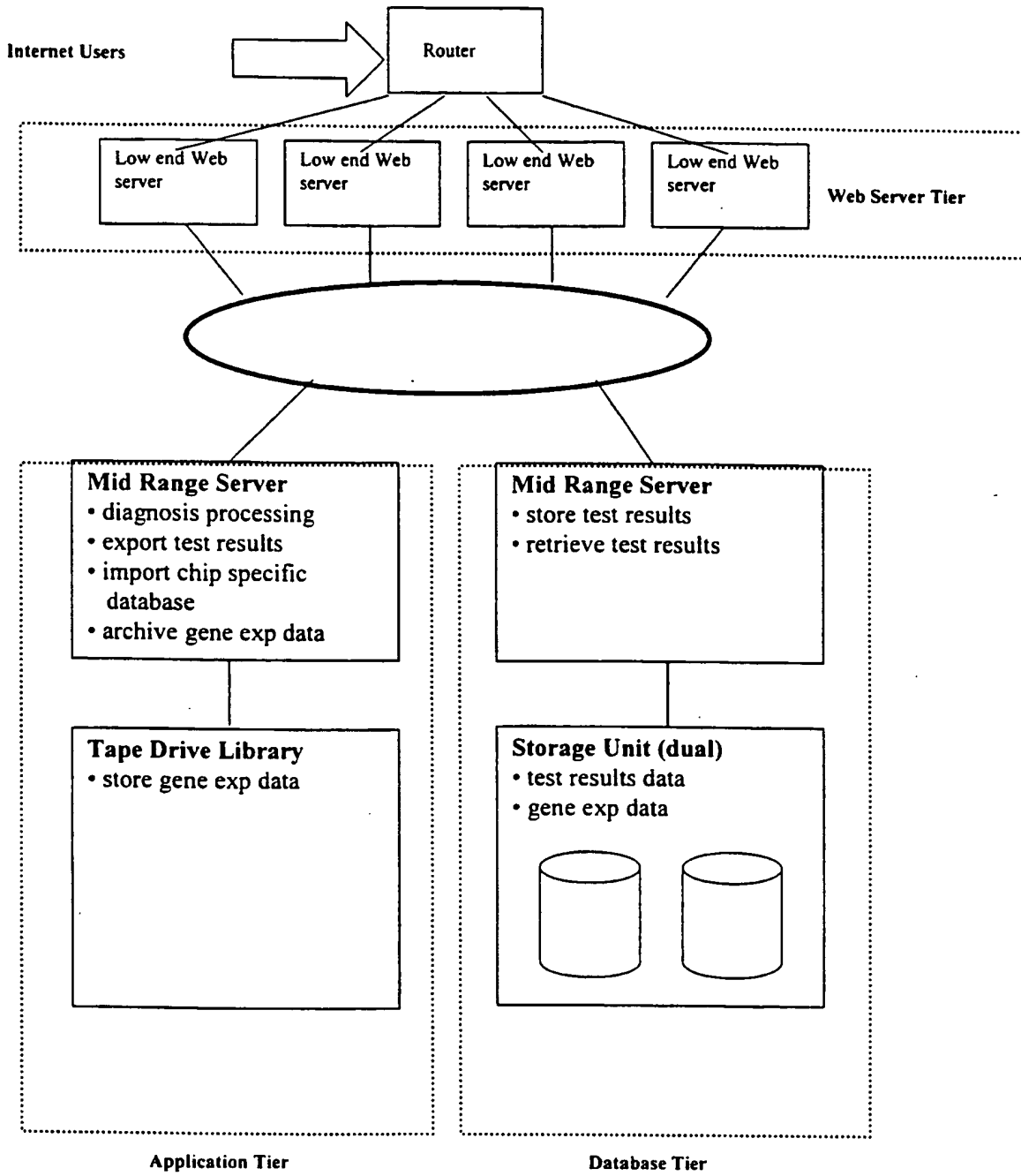


Figure 2: System Design

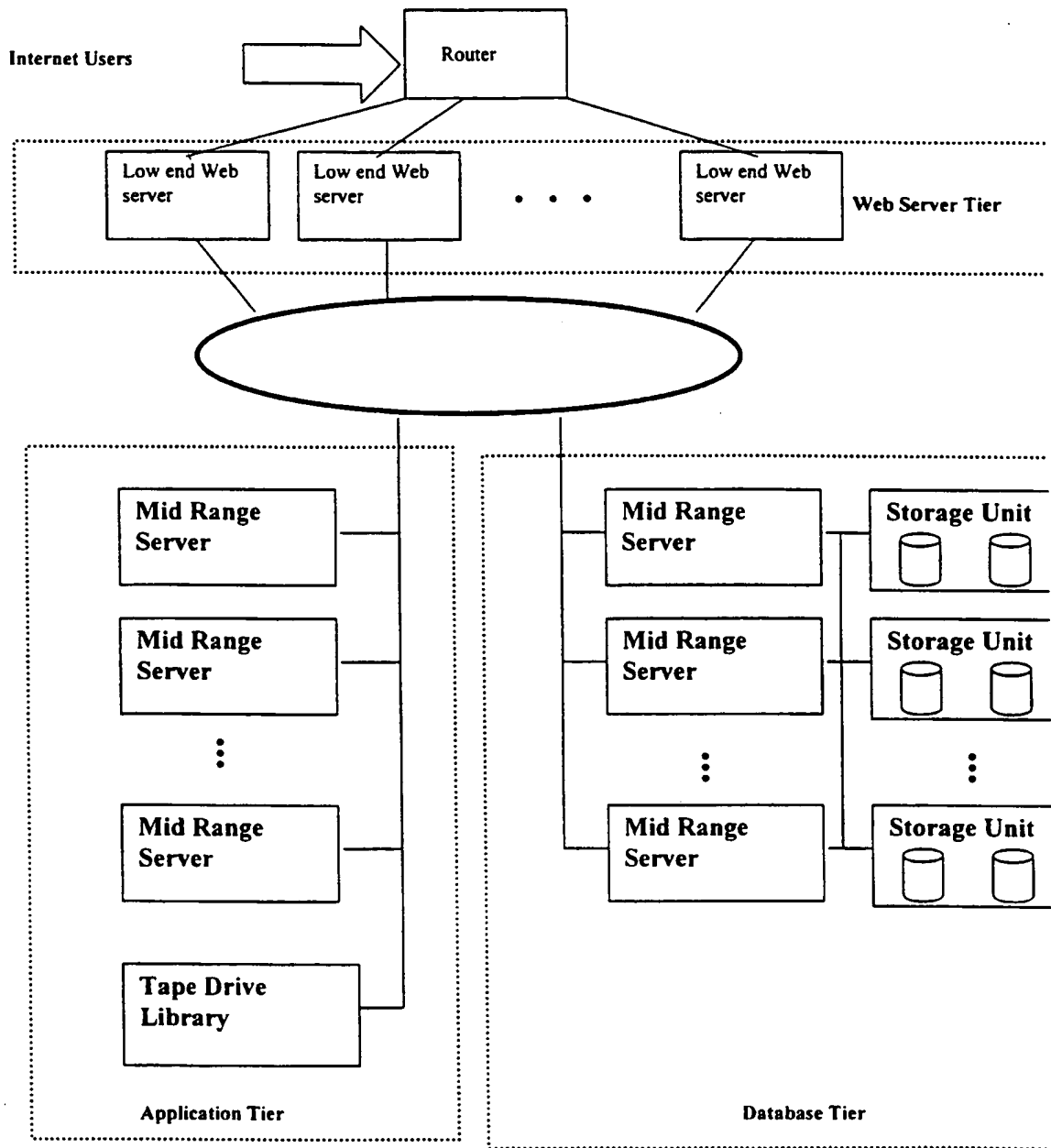


Figure 3: System Scaling

(19) World Intellectual Property Organization  
International Bureau



(43) International Publication Date  
8 March 2001 (08.03.2001)

PCT

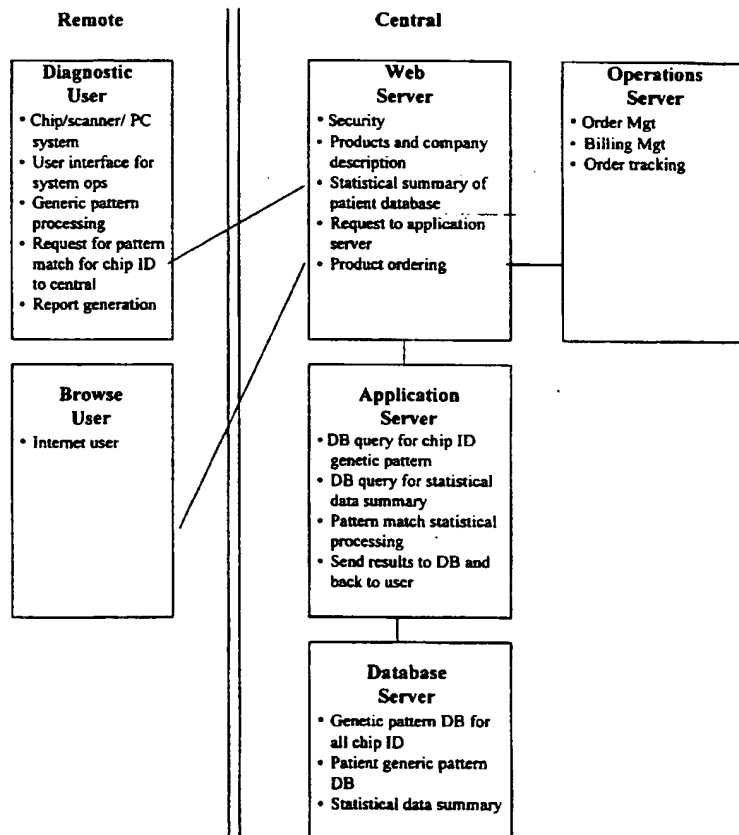
(10) International Publication Number  
WO 01/16860 A3

- (51) International Patent Classification<sup>7</sup>: G06F 19/00
- (21) International Application Number: PCT/US00/23597
- (22) International Filing Date: 28 August 2000 (28.08.2000)
- (25) Filing Language: English
- (26) Publication Language: English
- (30) Priority Data:  
60/151,258 27 August 1999 (27.08.1999) US
- (71) Applicant: IRIS BIO TECHNOLOGIES, INC.  
[US/US]; Suite 320, 5201 Great America Parkway, Santa Clara, CA 95054 (US).
- (72) Inventors: OSBORNE, Glenn, F.; Davis, CA (US). CHIN, Simon; Saratoga, CA (US). MCDONALD, Paul; Saratoga, CA (US). SCHNEIDER, Scott; Saratoga, CA (US).

- (74) Agents: CHOW, Y., Ping et al.; Heller Ehrman White & McAuliffe, 525 University Avenue, Palo Alto, CA 94301-1900 (US).
- (81) Designated States (*national*): AE, AG, AL, AM, AT, AT (utility model), AU, AZ, BA, BB, BG, BR, BY, CA, CH, CN, CR, CU, CZ, CZ (utility model), DE, DE (utility model), DK, DK (utility model), DM, DZ, EE, EE (utility model), ES, FI, FI (utility model), GB, GD, GE, GH, GM, HR, HU, ID, IL, IN, IS, JP, KE, KG, KP, KR, KZ, LC, LK, LR, LS, LT, LU, LV, MA, MD, MG, MK, MN, MW, MX, MZ, NO, NZ, PL, PT, RO, RU, SD, SE, SG, SI, SK, SK (utility model), SL, TJ, TM, TR, TT, TZ, UA, UG, UZ, VN, YU, ZA, ZW.
- (84) Designated States (*regional*): ARIPO patent (GH, GM, KE, LS, MW, MZ, SD, SL, SZ, TZ, UG, ZW), Eurasian patent (AM, AZ, BY, KG, KZ, MD, RU, TJ, TM), European patent (AT, BE, CH, CY, DE, DK, ES, FI, FR, GB, GR, IE,

[Continued on next page]

(54) Title: ARTIFICIAL INTELLIGENCE SYSTEM FOR GENETIC ANALYSIS



(57) Abstract: The present invention provides a complete artificial intelligence system for the acquisition and analysis of nucleic acid array hybridization information. The system is divided into at least one central data processing facility and one or more user facilities, linked by encrypted network connections or similar links. Each user facility may include an optical scanning system to collect hybridization signals from a nucleic acid array, an image processing system to convert the optical data into a set of hybridization parameters, a connection to a data network, and a user interface to display, manipulate, search, and analyze hybridization information. This system reads data from a gene chip or DNA microarray, or a proteomics chip, analyzes test results based on maintained parameters, evaluates patient risk for various ailments, recommends methods of treatment, presents information to medical and/or private individuals, and notifies test participants when new treatment becomes available.

WO 01/16860 A3



IT, LU, MC, NL, PT, SE), OAPI patent (BF, BJ, CF, CG, CI, CM, GA, GN, GW, ML, MR, NE, SN, TD, TG).

(88) Date of publication of the international search report:  
14 June 2001

**Published:**

— With international search report.

*For two-letter codes and other abbreviations, refer to the "Guidance Notes on Codes and Abbreviations" appearing at the beginning of each regular issue of the PCT Gazette.*

# INTERNATIONAL SEARCH REPORT

International Application No

PCT/US 00/23597

**A. CLASSIFICATION OF SUBJECT MATTER**

IPC 7 G06F19/00

According to International Patent Classification (IPC) or to both national classification and IPC

**B. FIELDS SEARCHED**

Minimum documentation searched (classification system followed by classification symbols)

IPC 7 G06F

Documentation searched other than minimum documentation to the extent that such documents are included in the fields searched

Electronic data base consulted during the international search (name of data base and, where practical, search terms used)

EPO-Internal, WPI Data

**C. DOCUMENTS CONSIDERED TO BE RELEVANT**

Category *	Citation of document, with indication, where appropriate, of the relevant passages	Relevant to claim No.
Y	WO 98 26407 A (INCYTE PHARMA INC) 18 June 1998 (1998-06-18) abstract; figure 2A page 18, paragraph 5 page 19, paragraph 2 ---	1-24
Y	WO 99 05591 A (AFFYMETRIX INC) 4 February 1999 (1999-02-04) abstract; figure 1 page 12, line 11 - line 22 ---	1-20
Y	WO 97 20496 A (CARBON BASED CORP) 12 June 1997 (1997-06-12) abstract; claim 1 ---	21-24
	-/--	

Further documents are listed in the continuation of box C.

Patent family members are listed in annex.

\* Special categories of cited documents:

- \*A\* document defining the general state of the art which is not considered to be of particular relevance
- \*E\* earlier document but published on or after the international filing date
- \*L\* document which may throw doubts on priority claim(s) or which is cited to establish the publication date of another citation or other special reason (as specified)
- \*O\* document referring to an oral disclosure, use, exhibition or other means
- \*P\* document published prior to the international filing date but later than the priority date claimed

- \*T\* later document published after the international filing date or priority date and not in conflict with the application but cited to understand the principle or theory underlying the invention
- \*X\* document of particular relevance: the claimed invention cannot be considered novel or cannot be considered to involve an inventive step when the document is taken alone
- \*Y\* document of particular relevance: the claimed invention cannot be considered to involve an inventive step when the document is combined with one or more other such documents, such combination being obvious to a person skilled in the art.
- \*&\* document member of the same patent family

Date of the actual completion of the international search

16 March 2001

Date of mailing of the international search report

23/03/2001

Name and mailing address of the ISA

European Patent Office, P.B. 5818 Patentlaan 2  
NL - 2280 HV Rijswijk  
Tel. (+31-70) 340-2040, Tx. 31 651 epo nl,  
Fax: (+31-70) 340-3016

Authorized officer

Filloy Garcia, E

# INTERNATIONAL SEARCH REPORT

Int. Patent Application No  
PCT/US 00/23597

C.(Continuation) DOCUMENTS CONSIDERED TO BE RELEVANT		
Category	Citation of document, with indication, where appropriate, of the relevant passages	Relevant to claim No.
A	ECKMAN B A ET AL: "The Merck Gene Index browser: an extensible data integration system for gene finding, gene characterization and EST data mining" BIOINFORMATICS,GB,OXFORD UNIVERSITY PRESS, SURREY, vol. 14, no. 1, February 1998 (1998-02), pages 2-13, XP002132418 ISSN: 1367-4803 abstract; figure 2 -----	1-24
A	US 5 692 107 A (KERBER RANDY G ET AL) 25 November 1997 (1997-11-25) -----	

# INTERNATIONAL SEARCH REPORT

Information on patent family members

International Application No

PCT/US 00/23597

Patent document cited in search report	A	Publication date	Patent family member(s)	Publication date
WO 9826407	A	18-06-1998	US 5966712 A WO 9826408 A US 5970500 A	12-10-1999 18-06-1998 19-10-1999
WO 9905591	A	04-02-1999	EP 1002264 A EP 1009861 A EP 0998697 A EP 1007737 A WO 9905323 A WO 9905574 A WO 9905324 A	24-05-2000 21-06-2000 10-05-2000 14-06-2000 04-02-1999 04-02-1999 04-02-1999
WO 9720496	A	12-06-1997	US 5746204 A US 6063026 A AU 1683797 A	05-05-1998 16-05-2000 27-06-1997
US 5692107	A	25-11-1997	NONE	